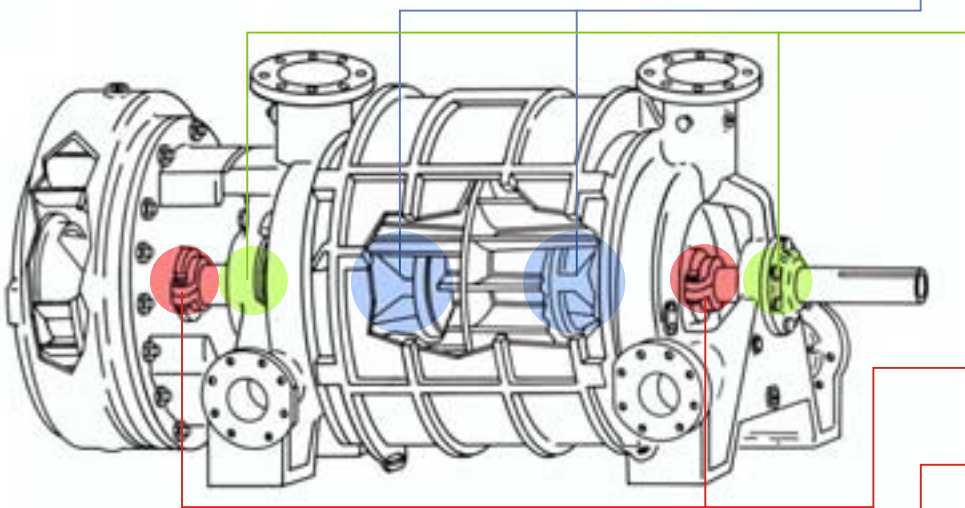


Let NASH Help You Maintain Plant Availability

1. Can you hold condenser vacuum with one pump?
(your plant was designed to run with one pump)
2. Have you changed pump bearings in the last ten years?
3. Is your condenser exhauster packing leakage acceptable?

If you answer “no” to any of these questions, you should consider a NASH overhaul of your condenser exhauster vacuum pump

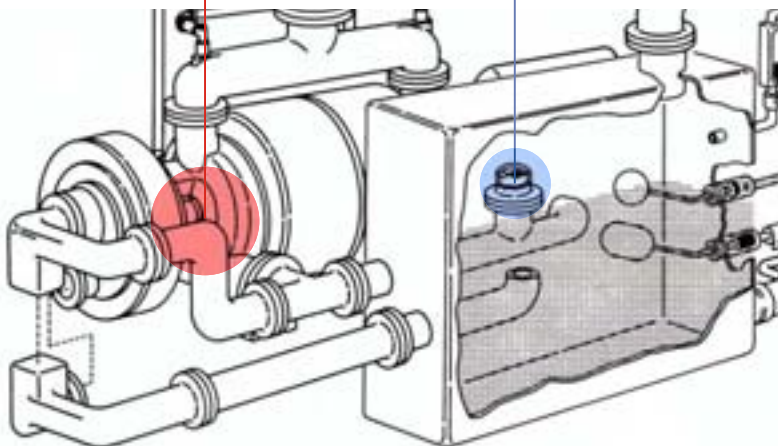


A NASH Pump Overhaul Includes:

- Replace cones with newly patented design- 20% capacity increase
- Re-set clearances for improved performance
- Re-test to HEI standards
- Replace bearings before they reach their designed B-10 life (100,000 hrs)
- Replace packing & first stage lantern gland
- Re-pipe lantern gland flushing
- Replace inter-stage check valve clapper

Benefits

- Better than new performance
- Avoiding costly breakdowns
- Extend plant life
- Peace of mind
- Certified NASH warranty



Gardner Denver Liquid Ring Pump Division
9 Trefoil Drive
Trumbull, CT 06611

phone: +1 800 553 NASH

fax: +1 203 459 3988

email: nash@gardnerdenver.com
GardnerDenverNash.com